

Rack & Panel

SRM Series

Sub Miniature Rectangular #20 Contacts / .040" Dia. / 7.5 Amps

SRM Series connectors are particularly suitable where current rating and voltage drop require-

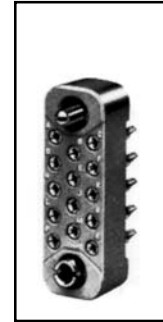
ments dictate a larger wire size than can be used with other subminiature connectors.



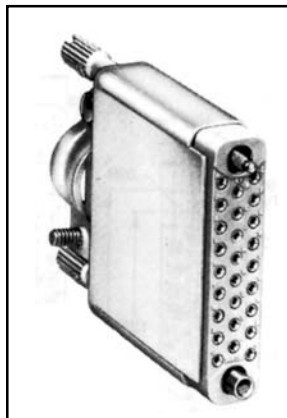
XSRM14PNSS2500



XSRM14PNSS1000



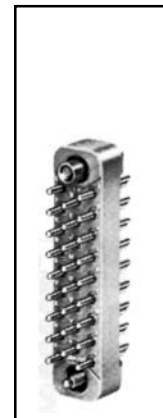
SRM14SNSS0000



SRM26SCO300



XSRM26SM2000



SRM26PF0000

SPECIFICATIONS

Current Rating: 7.5 Amps

No. of

Contacts: 5, 7, 11, 14, 20, 26, 34, 50, 75, 104

Pin Contacts: .040 dia. brass, gold plated.

Socket

Contacts: Phosphor, bronze, gold plated.

Termination

Types:

.048 dia. solder cups will accept up to #20 AWG stranded wire. Dip Solder Contacts, .030 dia. Check Sales Dept. for available lengths.

Electrical Data: Minimum dielectric withstanding voltage is one minute at 1500 VAC when tested in accordance with MIL-C-28748.

Dielectric:

Glass-filled diallyl phthalate - grey- per MIL-M-14, SDG-F.

Guides:

NSS Type, stainless steel; or N Type, brass.

Jackscrews:

Stainless steel with knurled and slotted aluminum knobs.

Hoods:

Anodized aluminum. May be applied to either plug or receptacle. Both top and side openings are available.

Shells:

Polarized shells are available. SRM connector assembled with a shell changes part number from SRM _____ to XSRM _____.

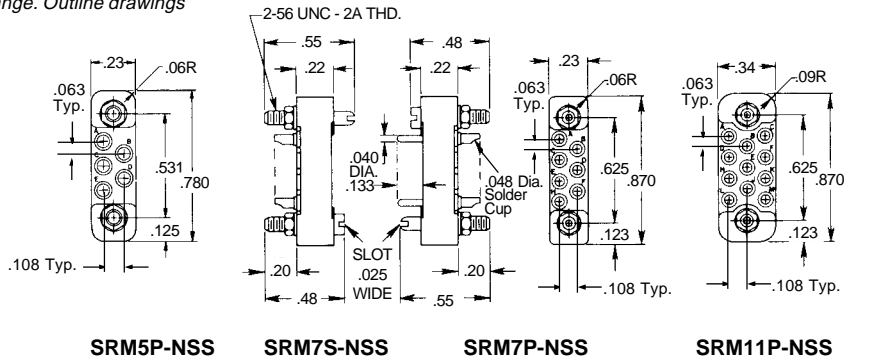
Rack & Panel

SRM Series

Sub Miniature Rectangular #20 Contacts / .040" Dia. / 7.5 Amps

CONTACT ARRANGEMENTS

Dimensions are for reference only and are subject to change. Outline drawings on request.

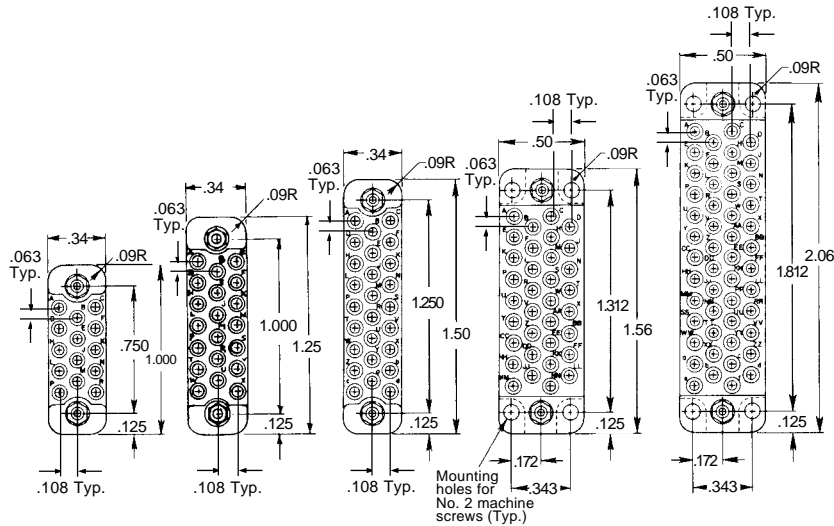


SRM5P-NSS

SRM7S-NSS

SRM7P-NSS

SRM11P-NSS



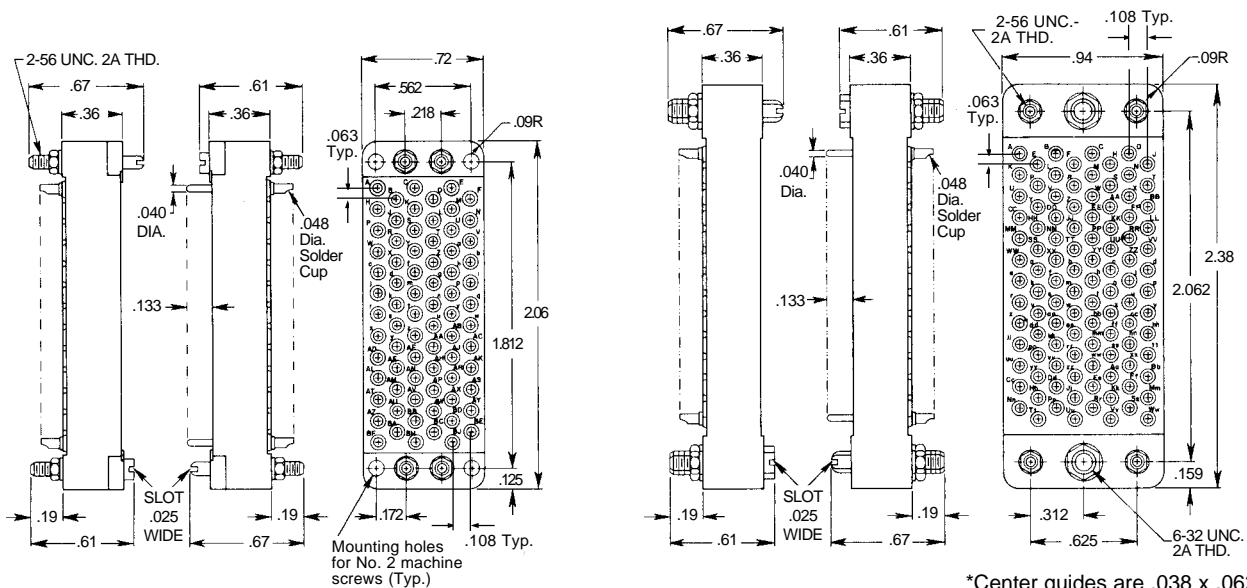
SRM14P-NSS

SRM20P-NSS

SRM26S-NSS

SRM34P-NSS

SRM50P-NSS



SRM75S-NSS

SRM75P-NSS

SRM104S-NSS

SRM104P-NSS

*Center guides are .038 x .062

Winchester/Retconn

400 Park Road ■ Watertown, Connecticut 06795-0500 ■ Phone: (860) 945-5000 ■ FAX: (860) 945-5191 ■ Internet: <http://www.litton-wed.com>

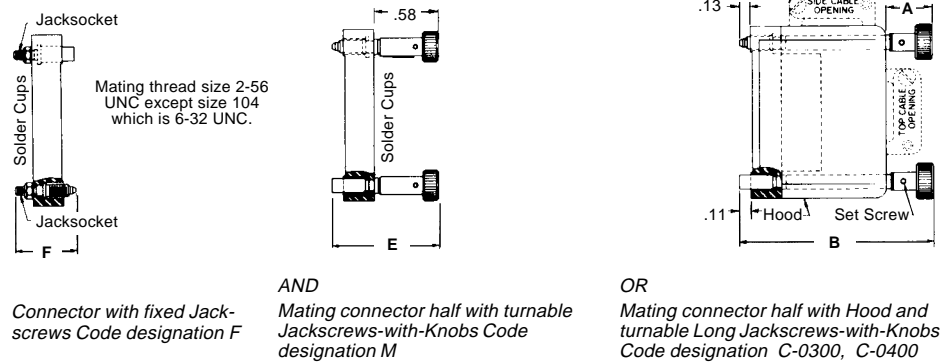
Rack & Panel

SRM Series

Sub Miniature Rectangular #20 Contacts / .040" Dia. / 7.5 Amps

OUTLINE JACKSCREWS & JACKSOCKETS

Dimensions are for reference only and are subject to change. Outline drawings on request.



Jackscrew locking device assures positive coupling of engaged connectors to prevent accidental disconnecting from vibration or physical shock. It also aids easy connection and separation of connector plug and receptacle. Mounted connector-half houses one non-turnable fixed jackscrew and jacksocket to insure connector polarization. Mating-half houses one of the two types of turning jackscrew and jacksocket (M or C) Turnable jackscrew-jacksocket combination (M or C) assembles on either Plug or

Receptacle, the mating connector-half (either Receptacle or Plug) must then contain fixed jackscrew-jacksocket combination (F). Both short and long turning jackscrews (M and C) have knurled and slotted knobs for locking by hand or screwdriver. Knob is assembled on shaft with a socket setscrew. Safety wiring of engaged halves is achieved by using the through-holes. Drawings show extension of standard knobs beyond hood.

DIMENSIONS

Standard Connector Size	Long Turning Code "C"		Short Turning Code "M"	Fixed Jacks Code "F"
	0300	0300X	E	F
	A	B		
SRM 5	—	—	.92	.53
SRM 7	—	1.28	.92	.53
SRM 11	—	1.84	.92	.53
SRM 14	—	1.84	.92	.53
SRM 20	—	2.09	.92	.53
SRM 26	.56	2.09	.92	.53
SRM 34	.56	2.09	.92	.53
SRM 50	.56	2.09	.92	.53
SRM 75	.56	2.23	1.06	.67
SRM 104	.56	2.80	1.06	.67

CODES

Note: Jackscrews and jacksockets are stainless steel with passivating dip. Knob is anodized aluminum.

TYPE		Code Letter
Jackscrew Jacksocket	Fixed	F
Jackscrew Jacksocket	Short Turnable	M
Jackscrew Jacksocket	Long Turnable	C
Knob	Standard	—

Winchester/Retconn

400 Park Road ■ Watertown, Connecticut 06795-0500 ■ Phone: (860) 945-5000 ■ FAX: (860) 945-5191 ■ Internet: <http://www.litton-wed.com>

Rack & Panel

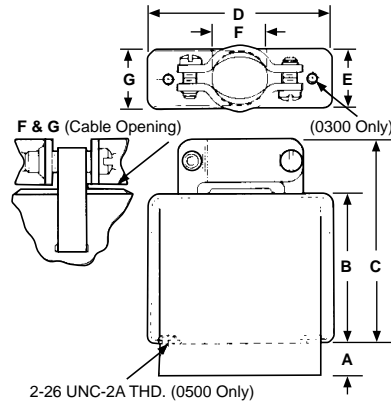
SRM Series

Sub Miniature Rectangular #20 Contacts / .040" Dia. / 7.5 Amps

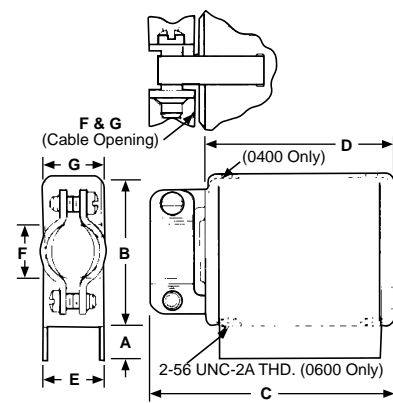
HOODS - FORMED ALUMINUM

Dimensions are for reference only and are subject to change. Outline drawings on request.

Top Cable Opening Hoods



Side Cable Opening Hoods



0300X Cable Clamp

0300X Hood is identical to 0300 Hood except for cable clamp style and cable opening in the hood.

0400X Cable Clamp

0400X Hood is identical to 0400 Hood except for cable clamp style and cable opening in the hood.

DIMENSIONS

Top Cable Opening Hoods

Code No.	Dimensions							Cable Opening	Code No.	Dimensions							Cable Opening
	A*	B	C	D	E	F	G			A*	B	C	D	E	F	G	
SRM 7-0300X	.16	.38	.67	.88	.30	.36	.23	SRM 34-0300	.16	1.19	1.63	1.56	.56	.63	.5		
SRM 7-0500	.16	.38	.69	.88	.30	.30	.23	SRM 34-0300X	.16	1.19	1.67	1.56	.56	.81	.5		
SRM 7-0500X	.16	.38	.67	.88	.30	.36	.23	SRM 34-0500	.16	1.19	1.63	1.56	.56	.63	.5		
SRM 11-0300X	.16	.94	1.23	.88	.41	.47	.34	SRM 34-0500X	.16	1.19	1.67	1.56	.56	.81	.5		
SRM 11-0500	.16	.94	1.25	.88	.41	.44	.34	SRM 50-0300	.16	1.19	1.63	2.06	.56	.66	.5		
SRM 11-0500X	.16	.94	1.23	.88	.41	.47	.34	SRM 50-0300X	.16	1.19	1.67	2.06	.56	.88	.5		
SRM 14-0300X	.16	.94	1.23	1	.41	.5	.34	SRM 50-0500	.16	1.19	1.63	2.06	.56	.66	.5		
SRM 14-0500	.16	.94	1.25	1	.41	.44	.34	SRM 50-0500X	.16	1.19	1.67	2.06	.56	.88	.5		
SRM 14-0500X	.16	.94	1.23	1	.41	.5	.34	SRM 75-0300	.16	1.19	1.63	2.06	.78	.63 Dia.			
SRM 20-0300X	.16	1.19	1.67	1.25	.41	.72	.34	SRM 75-0300X	.16	1.19	1.72	2.06	.78	.91	.72		
SRM 20-0500	.16	1.19	1.63	1.25	.41	.34	.72	SRM 75-0500	.16	1.19	1.63	2.06	.78	.63 Dia.			
SRM 20-0500X	.16	1.19	1.67	1.25	.41	.72	.34	SRM 75-0500X	.16	1.19	1.72	2.06	.78	.91	.72		
SRM 26-0300	.16	1.19	1.63	1.5	.41	.56	.34	SRM 104-0300	.16	1.75	2.28	2.38	1	1.06	.94		
SRM 26-0300X	.16	1.19	1.63	1.5	.41	.91	.34	SRM 104-0300X**	.16	1.75	2.52	2.38	1	.86	1.36		
SRM 26-0500	.16	1.19	1.63	1.5	.41	.56	.34	SRM 104-0500	.16	1.75	2.28	2.38	1	1.06	.94		
SRM 26-0500X	.16	1.19	1.63	1.5	.41	.91	.34	SRM 104-0500X**	.16	1.75	2.52	2.38	1	.86	1.36		

Hoods may be ordered separately (see code numbers in above tables) or assembled on connectors. If desired assembled to connectors, see Code Numbering System for complete catalog number.

Prefix hood code numbers with "X" for use with shells. Example: XSRM34-0300

Side Cable Opening Hoods

Code No.	Dimensions							Cable Opening	Code No.	Dimensions							Cable Opening
	A*	B	C	D	E	F	G			A*	B	C	D	E	F	G	
SRM 11-0400	.16	.94	1.19	.88	.41	.44	.34	SRM 34-0400	.16	1.19	2	1.56	.56	.63	.5		
SRM 11-0400X	.16	.94	1.17	.88	.41	.34	.47	SRM 34-0400X	.16	1.19	2.03	1.56	.56	.81	.5		
SRM 11-0600	.16	.94	1.19	.88	.41	.44	.34	SRM 34-0600	.16	1.19	2	1.56	.56	.63	.5		
SRM 11-0600X	.16	.94	1.17	.88	.41	.34	.47	SRM 34-0600X	.16	1.19	2.03	1.56	.56	.81	.5		
SRM 14-0400	.16	.94	1.31	1	.41	.44	.34	SRM 50-0400	.16	1.19	2.5	2.06	.56	.66	.5		
SRM 14-0400X	.16	.94	1.30	1	.41	.5	.34	SRM 50-0400X	.16	1.19	2.53	2.06	.56	.88	.5		
SRM 14-0600	.16	.94	1.31	1	.41	.44	.34	SRM 50-0600	.16	1.19	2.5	2.06	.56	.66	.5		
SRM 14-0600X	.16	.94	1.30	1	.41	.5	.34	SRM 50-0600X	.16	1.19	2.53	2.06	.56	.88	.5		
SRM 20-0400	.16	1.19	1.69	1.25	.41	.56	.34	SRM 75-0400	.16	1.19	2.5	2.06	.78	.63 Dia.			
SRM 20-0400X**	.16	1.19	1.73	1.25	.41	.72	.34	SRM 75-0400X	.16	1.19	2.58	2.06	.78	.91	.72		
SRM 20-0600	.16	1.19	1.69	1.25	.41	.56	.34	SRM 75-0600	.16	1.19	2.5	2.06	.78	.63 Dia.			
SRM 20-0600X**	.16	1.19	1.73	1.25	.41	.72	.34	SRM 75-0600X	.16	1.19	2.58	2.06	.78	.91	.72		
SRM 26-0400	.16	1.19	1.94	1.5	.41	.56	.34	SRM 104-0400	.16	1.75	2.91	2.38	1	1.06	.94		
SRM 26-0400X	.16	1.19	1.94	1.5	.41	.91	.34	SRM 104-0400X	.16	1.75	2.91	2.38	1	1.44	.94		
SRM 26-0600	.16	1.19	1.94	1.5	.41	.56	.34	SRM 104-0600	.16	1.75	2.91	2.38	1	1.06	.94		
SRM 26-0600X	.16	1.19	1.94	1.5	.41	.91	.34	SRM 104-0600X	.16	1.75	2.91	2.38	1	1.44	.94		

*Note: This dimension does not apply when shells are used. Tab is removed.

**Request availability information.

Winchester/Retconn

400 Park Road ■ Watertown, Connecticut 06795-0500 ■ Phone: (860) 945-5000 ■ FAX: (860) 945-5191 ■ Internet: <http://www.litton-wed.com>

Rack & Panel

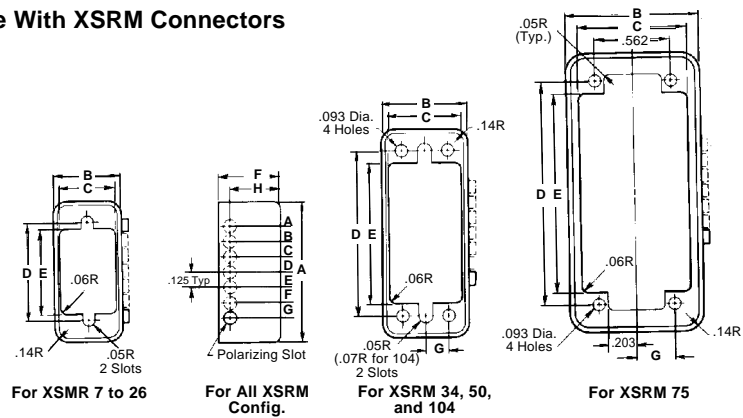
SRM Series

Sub Miniature Rectangular #20 Contacts / .040" Dia. / 7.5 Amps

PLUG SHELLS

Dimensions are for reference only and are subject to change. Outline drawings on request.

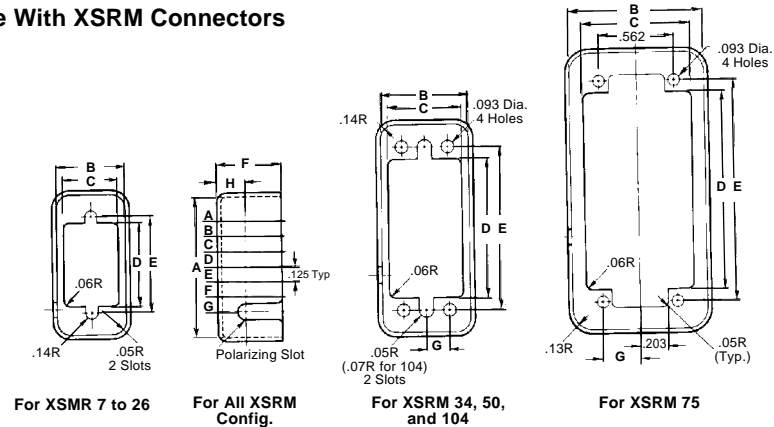
For Use With XSRM Connectors



RECEPTACLE SHELLS

Dimensions are for reference only and are subject to change. Outline drawings on request.

For Use With XSRM Connectors



MATERIAL

Shells are .031 thick aluminum, anodized for protection against corrosion. Either style - plug or receptacle - may be used to house a female insert, thus allowing "live" socket contacts to be cable or panel mounted.

Shells also provide a means by which connector polarization is accomplished - receptacle shell is slotted for engaging a polarizing pin on plug shell. Non-polarized shells have the slot and pin omitted.

POLARIZATION

The shell part numbers given in table show an asterisk (*) where the code letter for the desired polarizing position belongs - example: XSRM14-2*000 becomes XSRM14-2B000

when polarization in position "B" is desired. Specify the same position on the mating shell. For non-polarized shells, merely omit this position, e.g. XSRM14-2000.

Shell Size	Available Polarization Positions	Shell Size	Available Polarization Positions
7	A,B,C,D	34	A,B,C,D,E,F,G
11	A,B,C,D	50	A,B,C,D,E,F,G
14	A,B,C,D,E	75	A,B,C,D,E,F,G
20	A,B,C,D,E,F,G	104	A,B,C,D,E,F,G
26	A,B,C,D,E,F,G		

DIMENSIONS

Plug Shells (.031" thick)

Shell Part No. (if ordered separately)	Dimensions							
	A	B	C	D	E	F	G	H
XSRM 7-1*000	.97	.33	.23	.625	.53	.44	—	.31
XSRM 11-1*000	.97	.44	.34	.625	.53	.44	—	.31
XSRM 14-1*000	1.11	.44	.34	.750	.67	.44	—	.31
XSRM 20-1*000	1.34	.44	.34	1.00	.94	.44	—	.31
XSRM 26-1*000	1.61	.44	.34	1.250	1.16	.44	—	.31
XSRM 34-1*000	1.66	.61	.5	1.312	1.16	.44	.172	.31
XSRM 50-1*000	2.16	.83	.5	1.812	1.66	.44	.172	.31
XSRM 75-1*000	2.16	.81	.72	1.812	1.66	.58	.281	.45
XSRM 104-1*000	2.48	1.05	.94	2.062	1.81	.58	.312	.45

Receptacle Shells (.031" thick)

Shell Part No. (if ordered separately)	Dimensions							
	A	B	C	D	E	F	G	H
XSRM 7-2*000	1	.36	.23	.625	.53	.44	—	.19
XSRM 11-2*000	1	.47	.34	.625	.53	.44	—	.19
XSRM 14-2*000	1.13	.47	.34	.750	.67	.44	—	.19
XSRM 20-2*000	1.38	.47	.34	1.00	.94	.44	—	.19
XSRM 26-2*000	1.63	.47	.34	1.250	1.16	.44	—	.19
XSRM 34-2*000	1.69	.63	.5	1.312	1.16	.44	.172	.19
XSRM 50-2*000	2.19	.63	.5	1.812	1.66	.44	.172	.19
XSRM 75-2*000	2.19	.84	.72	1.812	1.66	.58	.281	.33
XSRM 104-2*000	2.5	1.06	.94	2.062	1.81	.58	.312	.33

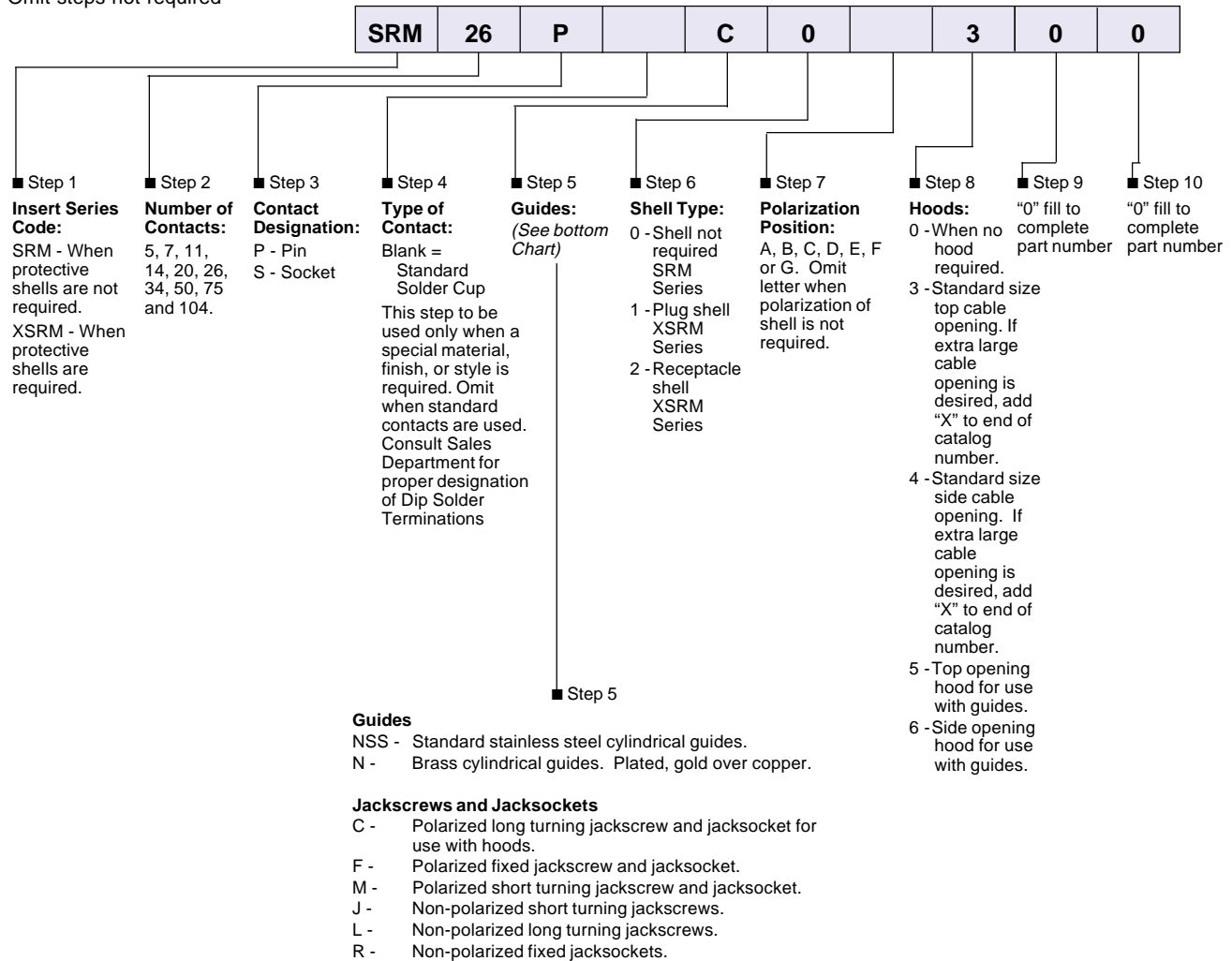
Rack & Panel

SRM Series

Sub Miniature Rectangular #20 Contacts / .040" Dia. / 7.5 Amps

ORDERING INFORMATION

Omit steps not required



Winchester/Retconn

400 Park Road ■ Watertown, Connecticut 06795-0500 ■ Phone: (860) 945-5000 ■ FAX: (860) 945-5191 ■ Internet: <http://www.litton-wed.com>